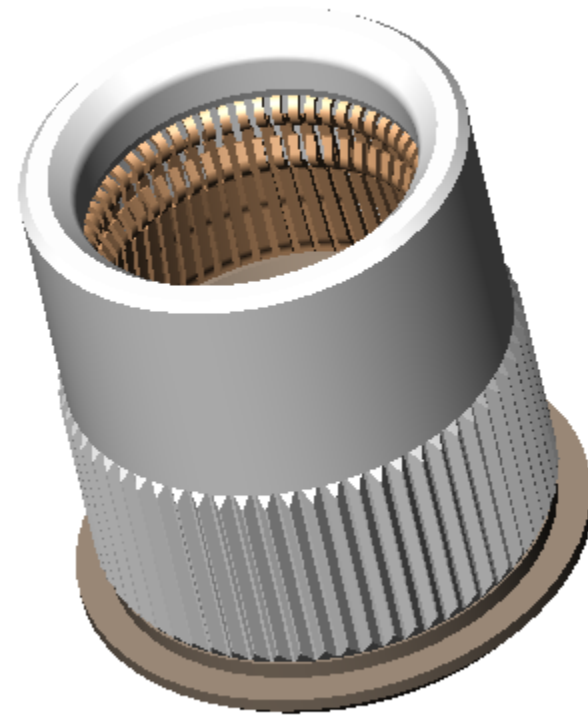
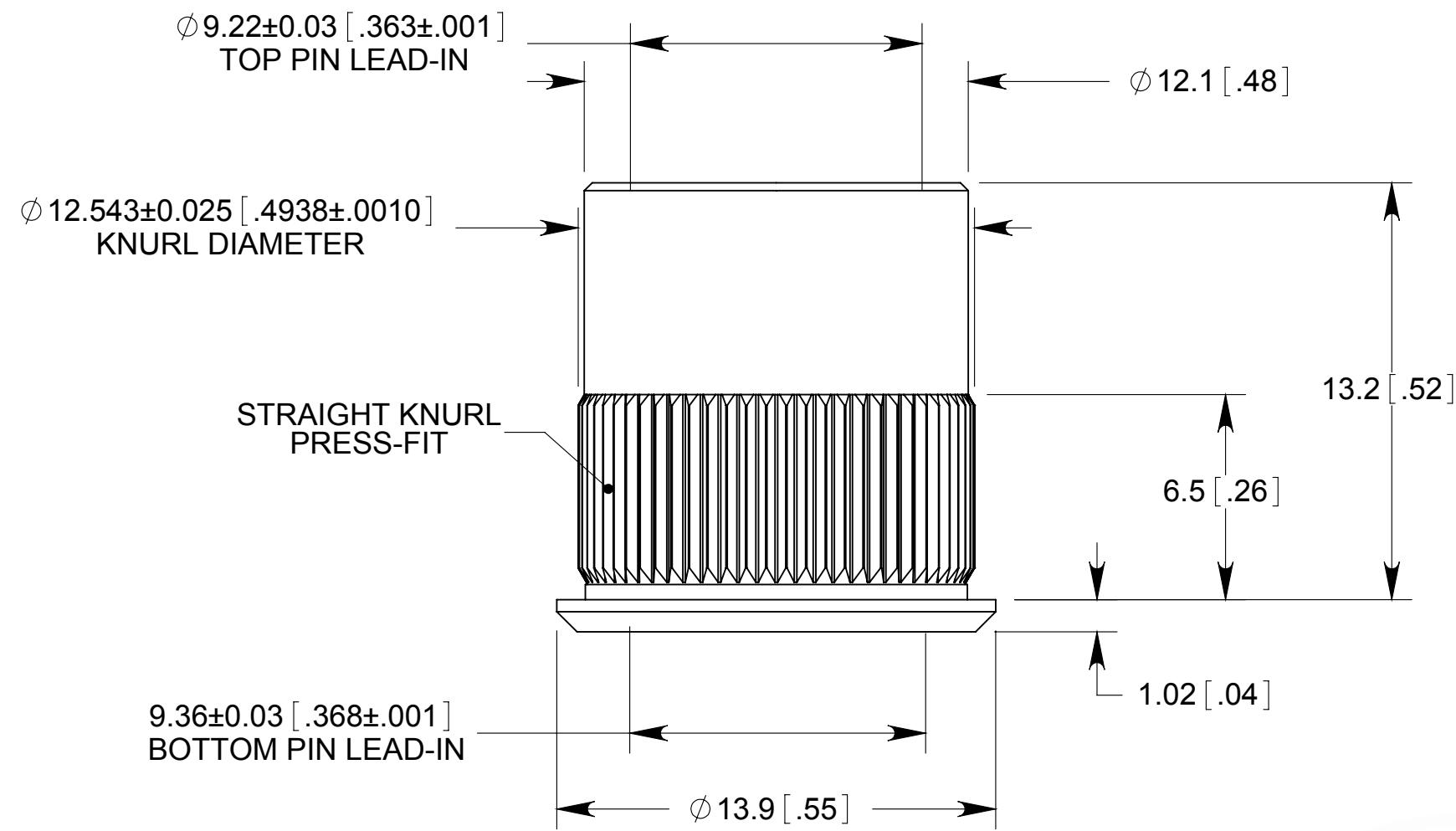


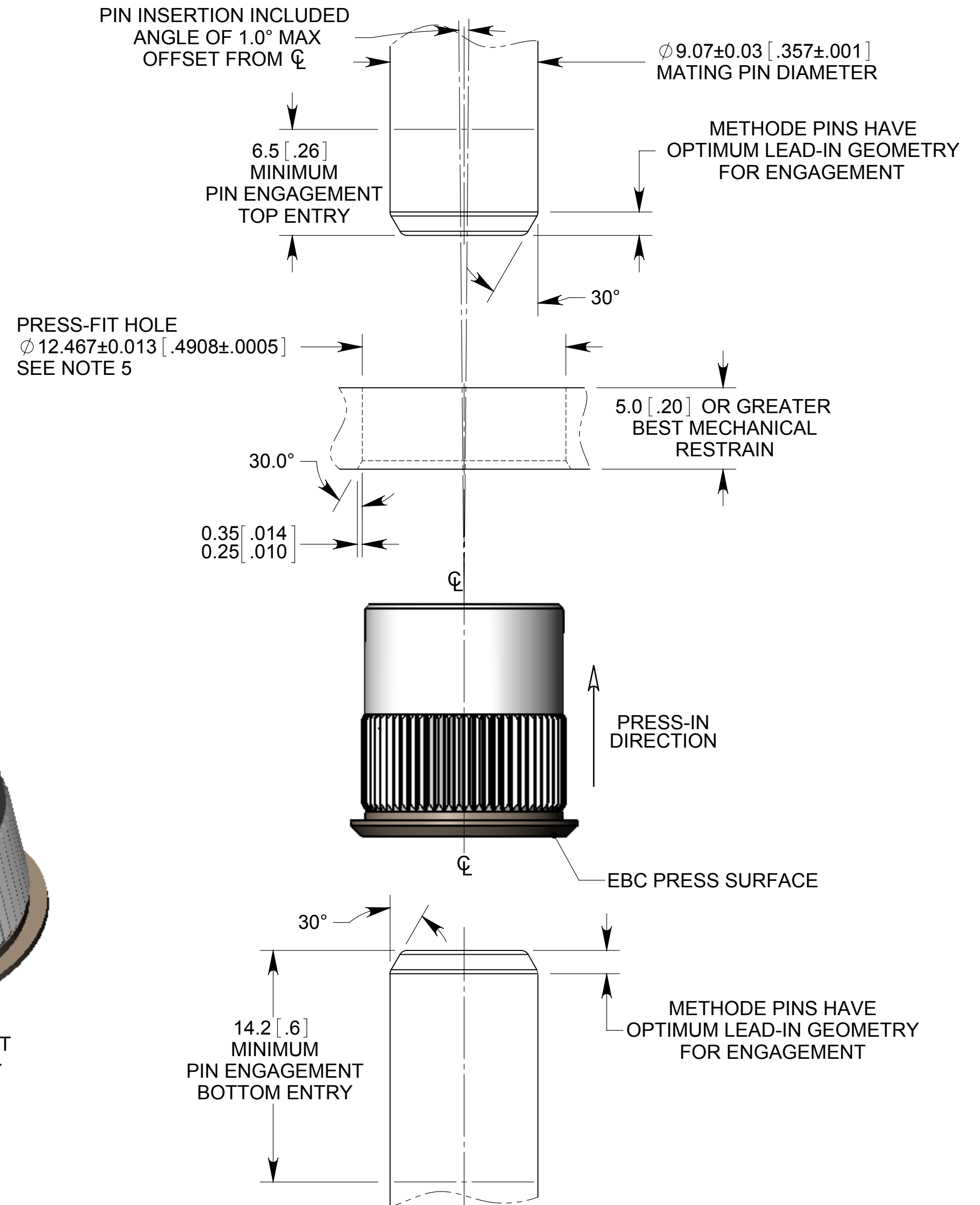
ECO	REV	VER	DESCRIPTION	DATE
10141	C		KNURL DIMN & ANGULARITY ADDED; TOLERANCE ADJUSTED	14-Feb-2014
10186		1	KNURL DIMN UPDATED	21-Apr-2014



EBC 9.1MM PB SOCKET  
P/N : 1101-06582-01104

**NOTES:** UNLESS OTHERWISE SPECIFIED

- CONTACT NAME AND PART NUMBER:  
NAME: EMBEDDED BUSBAR CONNECTOR (EBC), PB SIZE 9.1 MM  
PART NUMBER: 1101-06582-01104
- MATERIALS:  
SOCKET CONTACTS: COPPER ALLOY  
SOCKET BODY: COPPER ALLOY  
FLANGE / FERRULE: COPPER ALLOY
- FINISHES:  
SOCKET CONTACTS: SILVER PLATING OVER NICKEL UNDER PLATING  
SOCKET BODY: SILVER PLATING OVER NICKEL UNDER PLATING  
FLANGE / FERRULE: NICKEL PLATING
- REFERENCE DIMENSIONS IN PARENTHESIS (X.XX) ARE WITHOUT TOLERANCE AND USED FOR INFORMATION ONLY.
- PRESS-FIT HOLE DIMENSION SHOWN PROVIDES A 0.08[.003] NOMINAL DIAMETER INTERFERENCE FOR USE IN SOLID COPPER INSTALLATIONS ONLY. THESE VALUES ARE GUIDLINES; ACTUAL CONDUCTOR THICKNESS, HOLE DIAMETER AND LEAD -IN SHOULD BE CHARACTERIZED BY THE USER FOR THEIR PARTICULAR APPLICATION.



THIRD ANGLE PROJECTION	NAME	DATE								
<p><b>TOLERANCES</b> UNLESS OTHERWISE SPECIFIED DIMENSIONS ARE IN MILLIMETERS TOLERANCES ARE:</p> <table border="1"> <thead> <tr> <th>DECIMALS</th> <th>ANGLES</th> </tr> </thead> <tbody> <tr> <td>X.X ± 0.2</td> <td>± 2.0</td> </tr> <tr> <td>X.XX ± 0.08</td> <td></td> </tr> <tr> <td>X.XXX ± 0.013</td> <td></td> </tr> </tbody> </table> <p><b>SURFACE FINISH:</b> N/A</p>	DECIMALS	ANGLES	X.X ± 0.2	± 2.0	X.XX ± 0.08		X.XXX ± 0.013		<b>ORIG:</b> R. Larsen	03/08/2009
	DECIMALS	ANGLES								
	X.X ± 0.2	± 2.0								
X.XX ± 0.08										
X.XXX ± 0.013										
<b>ENGR:</b> R. Larsen		03/08/2009								
<b>CHECKED:</b> H. Han		03/08/2009								

METHODE ELECTRONICS, INC. POWER SOLUTIONS GROUP		
1750 Junction Avenue, San Jose, CA 95112 (408) 453-9500		
TITLE: <b>USER DRAWING, EMBEDDED CONTACT PB SIZE 9.1 MM STRAIGHT KNURL PRESS-FIT</b>		
SIZE <b>C</b>	DRAWING NUMBER: <b>C1101-06582-01104</b>	REV <b>C</b>
SCALE: 5:1	FILENAME: 1101-06582-01104	SHEET 1 OF 1

**PROPRIETARY AND CONFIDENTIAL NOTICE**  
ALL INFORMATION IN THIS DRAWING IS CONFIDENTIAL AND PROPRIETARY INFORMATION AND IS NOT TO BE DISTRIBUTED, COPIED, OR SHARED EXCEPT WITH PRIOR WRITTEN APPROVAL OF METHODE ELECTRONICS, INC. POWER SOLUTIONS GROUP.