

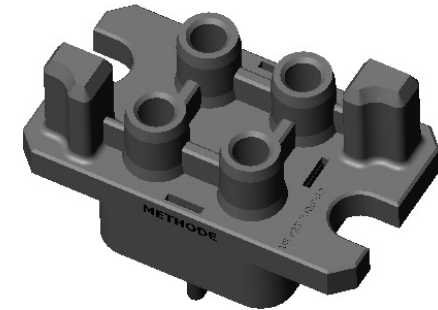
| | | | |
|-----|-----|-----------------------------|------------|
| ECO | REV | DESCRIPTION | DATE |
| N/A | A | INITIAL RELEASE CUD DRAWING | 03/10/2015 |

- PIN CONNECTOR -



PN: 6316-06648-01100
CONNECTOR INSULATOR HOUSING
INCLUDING RETENTION SPRINGS
NO CONTACTS INSTALLED

- SOCKET CONNECTOR -



PN: 6315-06649-01100
CONNECTOR INSULATOR HOUSING
INCLUDING RETENTION SPRINGS
NO CONTACTS INSTALLED

NOTES: UNLESS OTHERWISE SPECIFIED

1. CONNECTOR NAMES AND PART NUMBERS:

NAME: PIN CONNECTOR HOUSING, M-QUAD BLIND MATE
ACCOMMODATES SIZE 6.4 MM DIAMETER PINS & 4 GAUGE BARRELS
PART NUMBER: 6316-06648-01100

NAME: SOCKET CONNECTOR HOUSING, M-QUAD BLIND MATE
ACCOMMODATES SIZE 6.4 MM DIAMETER PINS & 4 GAUGE BARRELS
PART NUMBER: 6315-06649-01100

SEE SHEET 2 FOR CORRESPONDING CONTACT PART NUMBERS

2. MATERIALS:

INSULATORS: THERMOPLASTIC, UL 94 V-0
SOCKET CONTACTS: COPPER ALLOY
PIN CONTACTS: COPPER ALLOY

3. FINISHES:

SOCKET CONTACTS: SILVER PLATING OVER NICKEL UNDER PLATING
SOCKET BODIES: SILVER PLATING OVER NICKEL UNDER PLATING
PIN CONTACTS: SILVER PLATING OVER NICKEL UNDER PLATING

4. REFERENCE DIMENSIONS IN PARENTHESIS (.XXX) ARE WITHOUT TOLERANCE AND USED FOR INFORMATION ONLY.

5. OPERATIONAL CONDITIONS

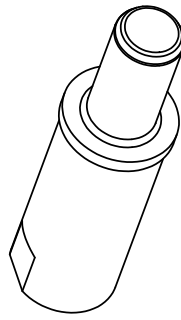
- * CONNECTOR GUIDEPOST GATHERING OF 2.5 MM [.10 INCH] RADIAL.
- * RELIABLE MATE AT 2 MM [.08 INCH] OFFSET (SEE SHEET 5).
- * PIN OR SOCKET CONNECTOR FLOAT OF 1.3 MM [.05 INCH] OFFSET FROM CENTER POSITION, WHEN MOUNTED USING THE SHOULDER SCREW SHOWN ON SHEET 5.
- * TYPICAL CONNECTOR MATING FORCES OF 22N [5 LBF] WHEN LOADED WITH CONTACTS IN ALL FOUR POSITIONS.

| | | | | | | | | | | | |
|---|-------------------------|--|-----------------------------------|---------------------|-------------|--|---------------|--|--|---|--|
| THIRD ANGLE PROJECTION TOLERANCES UNLESS OTHERWISE SPECIFIED DIMENSIONS ARE IN MILLIMETERS TOLERANCES ARE: <table border="0"> <tr> <td>DECIMALS</td> <td>ANGLES</td> </tr> <tr> <td>X.X ± 0.2</td> <td>± 2.0</td> </tr> <tr> <td>X.XX ± 0.08</td> <td></td> </tr> <tr> <td>X.XXX ± 0.013</td> <td></td> </tr> </table> | DECIMALS | ANGLES | X.X ± 0.2 | ± 2.0 | X.XX ± 0.08 | | X.XXX ± 0.013 | | NAME ORIG: R. Larsen ENGR: R. Larsen CHECKED: H. Han | DATE 02/11/2015 02/11/2015 02/11/2015 | METHODE ELECTRONICS, INC. POWER SOLUTIONS GROUP 2025 Gateway Place, Suite 235, San Jose, CA 95110 (408) 453-9500 TITLE: USER DRAWING, M-QUAD FOUR SIZE 6.4 MM CONTACTS 4 & 8 AWG WIRE CRIMP & M5 THREADS |
| | DECIMALS | ANGLES | | | | | | | | | |
| | X.X ± 0.2 | ± 2.0 | | | | | | | | | |
| | X.XX ± 0.08 | | | | | | | | | | |
| X.XXX ± 0.013 | | | | | | | | | | | |
| PROPRIETARY AND CONFIDENTIAL NOTICE ALL INFORMATION IN THIS DRAWING IS CONFIDENTIAL AND PROPRIETARY INFORMATION AND IS NOT TO BE DISTRIBUTED, COPIED, OR SHARED EXCEPT WITH PRIOR WRITTEN APPROVAL OF METHODE ELECTRONICS, INC. POWER SOLUTIONS GROUP. | SIZE C | DRAWING NUMBER: C6313-07745-00100 | REV A | | | | | | | | |
| SURFACE FINISH: N/A | SCALE: 1.5:1 | | FILENAME: 6313-07745-00100 | SHEET 1 OF 6 | | | | | | | |

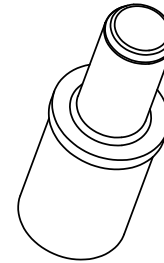
THIS DRAWING SUPERSEDES CUD DRAWING # 6313-06645-00100



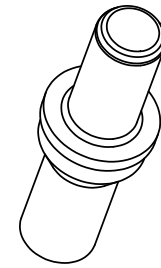
**ILLUSTRATED PIN CONNECTOR
FULLY POPULATED WITH
6.4 MM PIN CONTACTS**



**PN: 9104-06655-02104
6.4 MM PIN DIAMETER
M5 THREAD TERMINATION**



**PN: 9104-06454-02104
6.4 MM PIN DIAMETER
4 AWG CRIMP TERMINATION**

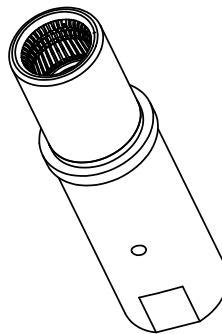


**PN: 9104-07303-02104
6.4 MM PIN DIAMETER
8 AWG CRIMP TERMINATION**

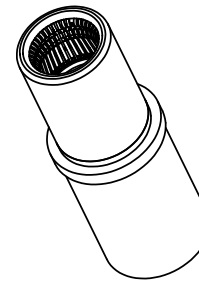
- PIN CONTACTS-



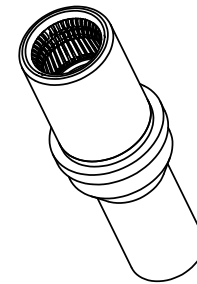
**ILLUSTRATED SOCKET CONNECTOR
FULLY POPULATED WITH
6.4 MM PIN CONTACTS**



**PN: 9303-06656-01104
POWERBUD 6.4 MM PIN DIAMETER
M5 THREADED TERMINATION**



**PN: 9303-06442-01104
POWERBUD 6.4 MM PIN DIAMETER
4 AWG CRIMP TERMINATION**



**PN: 9303-07304-01104
POWERBUD 6.4 MM PIN DIAMETER
8 AWG CRIMP TERMINATION**

- SOCKET CONTACTS-

- MOUNTING SHOULDER SCREW -



**PN: 9119-01680-02103
M5 THREAD**

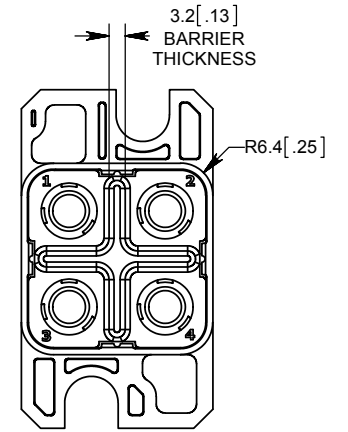
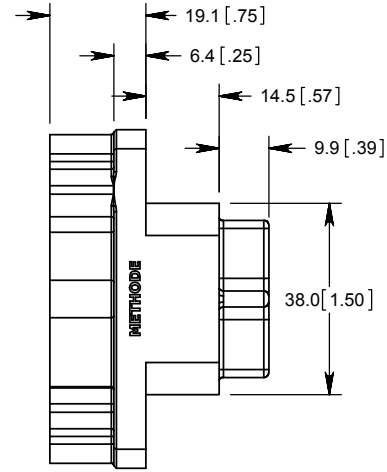
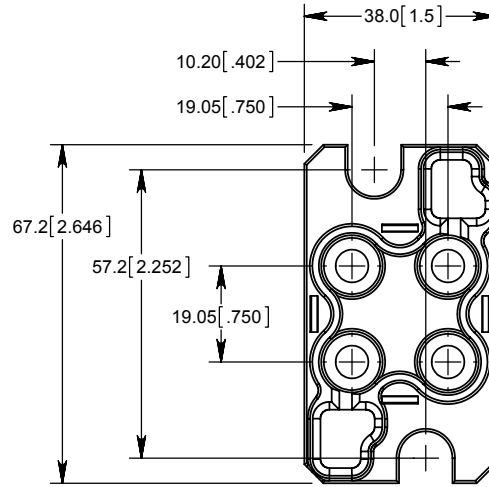
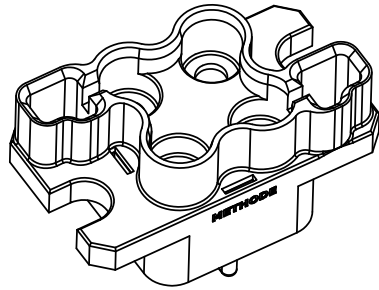
- CONTACT REMOVAL TOOL -



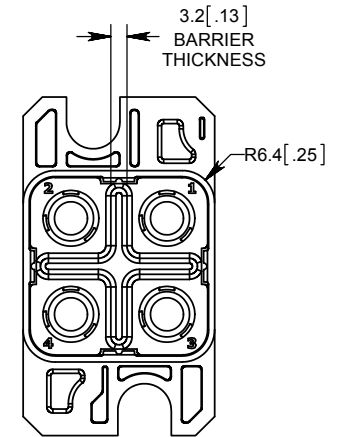
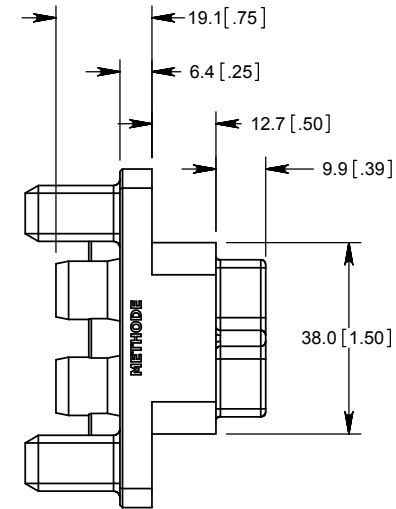
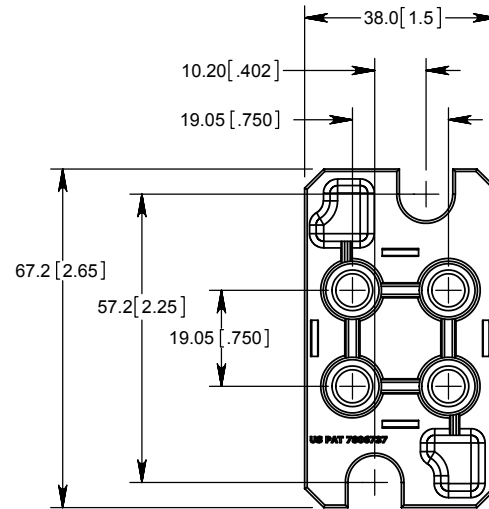
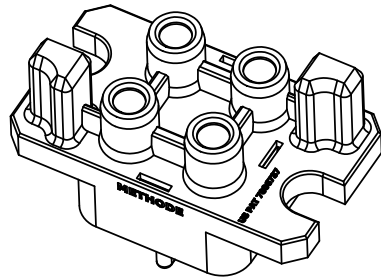
**PN: 7208-00228-02300
SIZE 4 GAUGE BARREL**

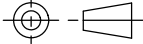

| | | | |
|-----------------------------------|---|--|--|
| THIRD ANGLE PROJECTION | NAME ORIG: R. Larsen | DATE 02/11/2015 | METHODE ELECTRONICS, INC. POWER SOLUTIONS GROUP 2025 Gateway Place, Suite 235, San Jose, CA 95110 (408) 453-9500 |
| | TOLERANCES UNLESS OTHERWISE SPECIFIED DIMENSIONS ARE IN MILLIMETERS TOLERANCES ARE: DECIMALS ANGLES X.X ± 0.2 ± 2.0 X.XX ± 0.08 X.XXX ± 0.013 | ENGR: R. Larsen | |
| SURFACE FINISH: N/A | CHECKED: H. Han | 02/11/2015 | TITLE: USER DRAWING, M-QUAD FOUR SIZE 6.4 MM CONTACTS 4 & 8 AWG WIRE CRIMP & M5 THREADS |
| | SIZE C | DRAWING NUMBER: C6313-07745-00100 | REV A |
| | SCALE: 3:1 | FILENAME: 6313-07745-00100 | SHEET 2 OF 6 |

**PIN CONNECTOR
INSULATOR HOUSING**

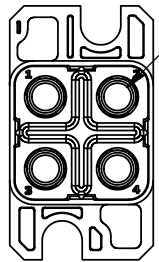
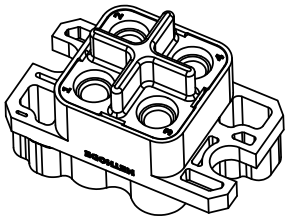


**SOCKET CONNECTOR
INSULATOR HOUSING**



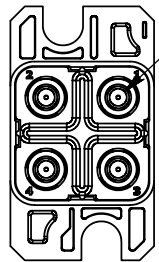
| | | | |
|--|---|---|--|
|  THIRD ANGLE PROJECTION TOLERANCES UNLESS OTHERWISE SPECIFIED DIMENSIONS ARE IN MILLIMETERS TOLERANCES ARE: DECIMALS ANGLES X.X ± 0.2 ± 2.0 X.XX ± 0.08 X.XXX ± 0.013 SURFACE FINISH: N/A | NAME <i>ORIG:</i> R. Larsen <i>ENGR:</i> R. Larsen <i>CHECKED:</i> H. Han | DATE 02/11/2015 02/11/2015 02/11/2015 |  METHODE ELECTRONICS, INC. POWER SOLUTIONS GROUP 2025 Gateway Place, Suite 235, San Jose, CA 95110 (408) 453-9500 TITLE: USER DRAWING, M-QUAD FOUR SIZE 6.4 MM CONTACTS 4 & 8 AWG WIRE CRIMP & M5 THREADS |
| | PROPRIETARY AND CONFIDENTIAL NOTICE ALL INFORMATION IN THIS DRAWING IS CONFIDENTIAL AND PROPRIETARY INFORMATION AND IS NOT TO BE DISTRIBUTED, COPIED, OR SHARED EXCEPT WITH PRIOR WRITTEN APPROVAL OF METHODE ELECTRONICS, INC. POWER SOLUTIONS GROUP. | SIZE C | |
| SCALE: 2:1 | | FILENAME: 6313-07745-00100 | SHEET 3 OF 6 |

- WIRE CRIMP TERMINATION INFORMATION -



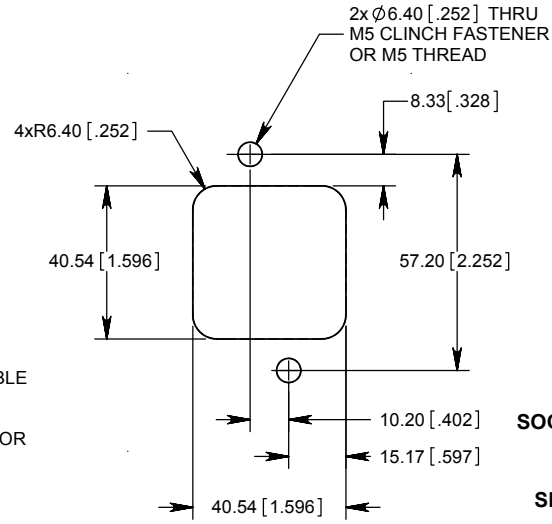
$\phi 7.2 [.29] \nabla 13.0 [.50]$
 ACCEPTS POWERFLEX CABLE
 HV4-105-COLOR
 SIZE 4 AWG HIGH FLEX
 7x7x34/36 STRAND CONDUCTOR

CONNECTOR POPULATED WITH 4 AWG CRIMP CONTACTS



$\phi 4.5 [.18] \nabla 11.4 [.45]$
 ACCEPTS POWERFLEX CABLE
 HV8-55-COLOR
 SIZE 8 AWG HIGH FLEX
 7x95/36 STRAND CONDUCTOR

CONNECTOR POPULATED WITH 8 AWG CRIMP CONTACTS

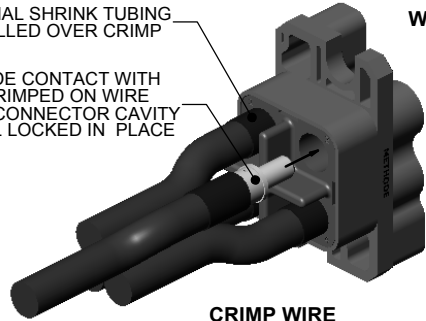


**PIN CONNECTOR PANEL CUTOUT COMPONENT SIDE VIEW
ALLOWS 2.5 MM [.10"]
SIDE-TO-SIDE FREEDOM OF FLOAT**

**SOCKET CONNECTOR PANEL CUTOUT COMPONENT SIDE VIEW
MIRROR PIN IMAGE
ALLOWS 2.5 MM [.10"]
SIDE-TO-SIDE FREEDOM OF FLOAT**

OPTIONAL SHRINK TUBING
INSTALLED OVER CRIMP

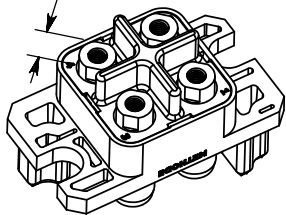
SLIDE CONTACT WITH
CRIMPED ON WIRE
INTO CONNECTOR CAVITY
UNTIL LOCKED IN PLACE



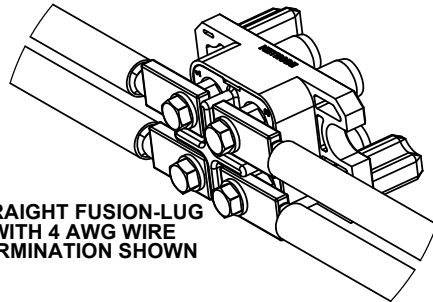
**CRIMP WIRE
TERMINATIONS SHOWN**

- M5 THREADED TERMINATION INFORMATION -

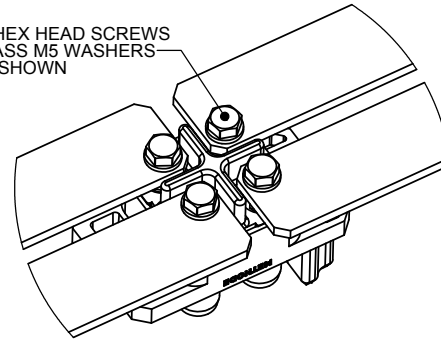
$8.9 [.35]$
 ANTI-ROTATION
 9 MM WRENCH FLATS



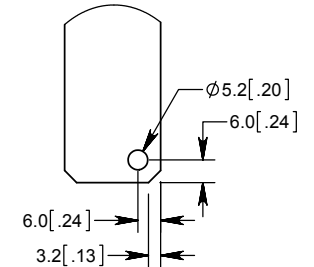
**STRAIGHT FUSION-LUG
WITH 4 AWG WIRE
TERMINATION SHOWN**



BRASS M5 HEX HEAD SCREWS
OVER BRASS M5 WASHERS
SHOWN



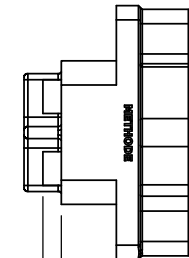
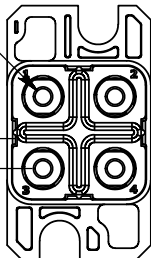
**25 x 3.2 MM BUS CONDUCTOR
TERMINATION SHOWN**



**BUS CONDUCTOR
RECOMMENDED ATTACHMENT
HOLE SIZE & LOCATION**

M5x0.8 THREAD
 $\nabla 10.2 [.40]$

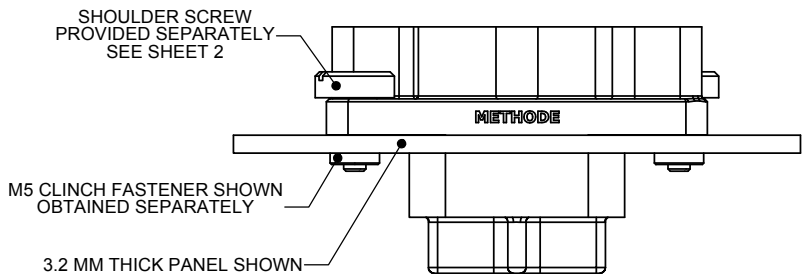
$7.9 [.31]$
 CONTACT ϕ
 TO ISOLATION BARRIER



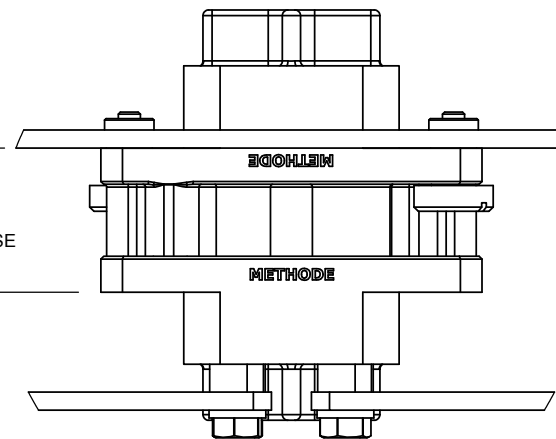
$5.1 [.20]$
 EXPOSED CONTACT
 M5 TERMINATION

| | | | |
|--|--|---|--|
| <p>THIRD ANGLE PROJECTION</p> <p>UNLESS OTHERWISE SPECIFIED DIMENSIONS ARE IN MILLIMETERS TOLERANCES ARE:</p> <p>DECIMALS ANGLES</p> <p>X.X ± 0.2 ± 2.0</p> <p>X.XX ± 0.08</p> <p>X.XXX ± 0.013</p> <p>SURFACE FINISH: N/A</p> | <p>NAME</p> <p>ORIG: R. Larsen</p> | <p>DATE</p> <p>02/11/2015</p> | <p>METHODE ELECTRONICS, INC. POWER SOLUTIONS GROUP</p> <p>2025 Gateway Place, Suite235, San Jose, CA 95110 (408) 453-9500</p> |
| | <p>TOLERANCES</p> <p>UNLESS OTHERWISE SPECIFIED DIMENSIONS ARE IN MILLIMETERS TOLERANCES ARE:</p> <p>DECIMALS ANGLES</p> <p>X.X ± 0.2 ± 2.0</p> <p>X.XX ± 0.08</p> <p>X.XXX ± 0.013</p> <p>SURFACE FINISH: N/A</p> | <p>ENGR: R. Larsen</p> | |
| <p>PROPRIETARY AND CONFIDENTIAL NOTICE ALL INFORMATION IN THIS DRAWING IS CONFIDENTIAL AND PROPRIETARY INFORMATION AND IS NOT TO BE DISTRIBUTED, COPIED, OR SHARED EXCEPT WITH PRIOR WRITTEN APPROVAL OF METHODE ELECTRONICS, INC. POWER SOLUTIONS GROUP.</p> | <p>SIZE</p> <p>C</p> | <p>DRAWING NUMBER:</p> <p>C6313-07745-00100</p> | <p>REV</p> <p>A</p> |
| <p>SCALE: 1:1</p> | <p>FILENAME: 6313-07745-00100</p> | <p>SHEET 4 OF 6</p> | |

- PANEL MOUNTED PIN CONNECTOR -

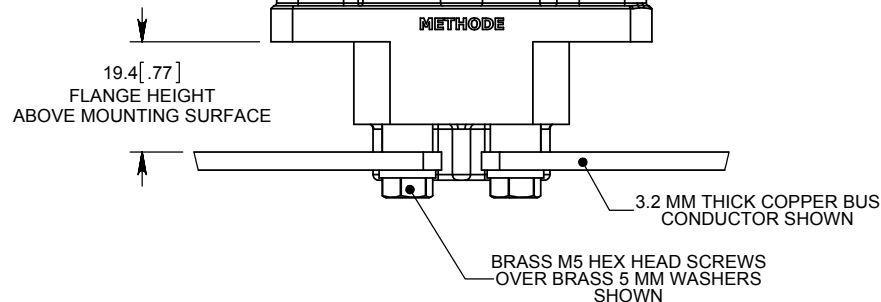


25.5 [1.00]
MINIMUM SPACING
BETWEEN FLANGE BASE

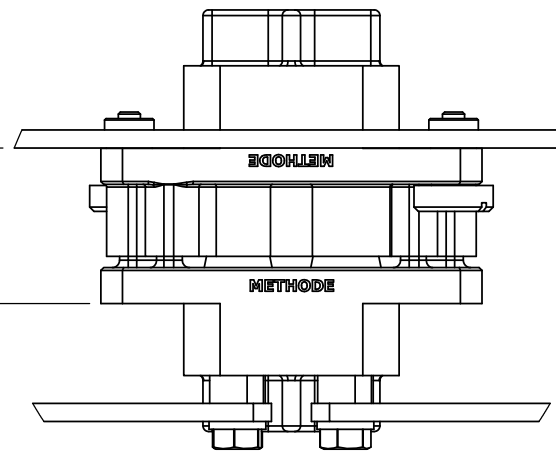


FULLY MATED CONDITION

BUS MOUNTED PIN CONNECTOR

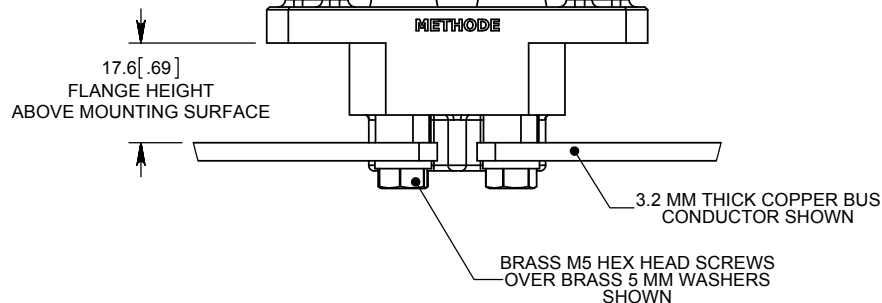


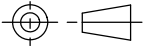

27.5 [1.08]
SPACING AT 2 MM
BETWEEN FLANGE BASE

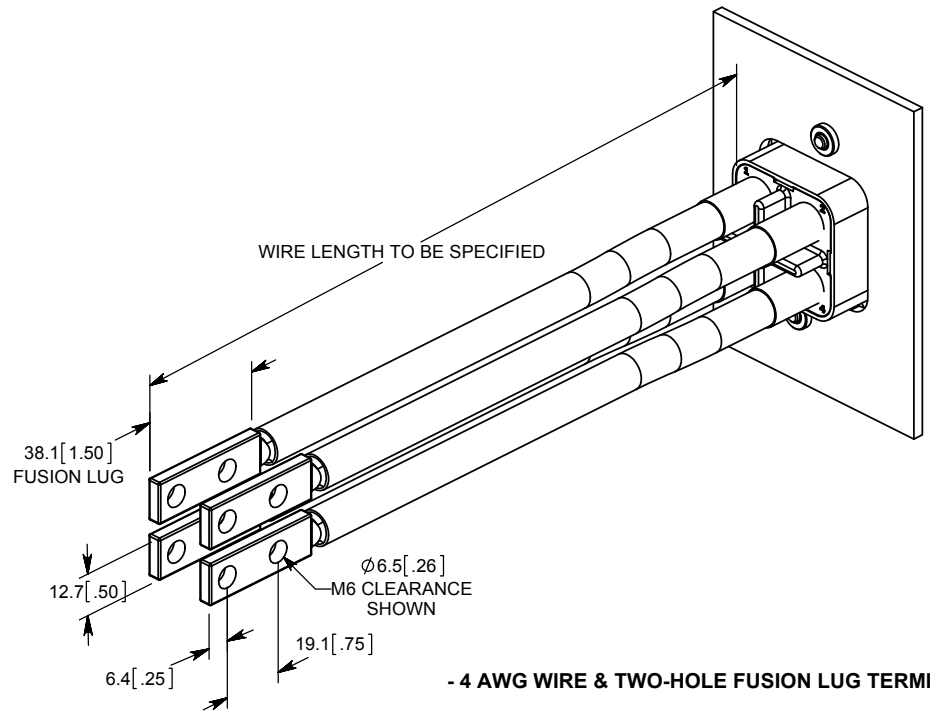


2 MM OFFSET MATED CONDITION

BUS MOUNTED SOCKET CONNECTOR

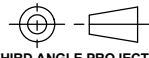



| | | | | | |
|--|---|---------------------------|--|---|------------------------|
|  THIRD ANGLE PROJECTION TOLERANCES UNLESS OTHERWISE SPECIFIED DIMENSIONS ARE IN MILLIMETERS TOLERANCES ARE: DECIMALS ANGLES X.X ± 0.2 ± 2.0 X.XX ± 0.08 X.XXX ± 0.013 SURFACE FINISH: N/A | NAME ORIG: R. Larsen | DATE 02/11/2015 |  METHODE ELECTRONICS, INC. POWER SOLUTIONS GROUP 2025 Gateway Place, Suite 235, San Jose, CA 95110 (408) 453-9500 | | |
| | ENGR: R. Larsen | 02/11/2015 | | TITLE: USER DRAWING, M-QUAD FOUR SIZE 6.4 MM CONTACTS 4 & 8 AWG WIRE CRIMP & M5 THREADS | |
| | CHECKED: H. Han | 02/11/2015 | SIZE C | DRAWING NUMBER: C6313-07745-00100 | REV A |
| | PROPRIETARY AND CONFIDENTIAL NOTICE ALL INFORMATION IN THIS DRAWING IS CONFIDENTIAL AND PROPRIETARY INFORMATION AND IS NOT TO BE DISTRIBUTED, COPIED, OR SHARED EXCEPT WITH PRIOR WRITTEN APPROVAL OF METHODE ELECTRONICS, INC. POWER SOLUTIONS GROUP. | SCALE: 1.5:1 | FILENAME: 6313-07745-00100 | SHEET 5 OF 6 | |



- 4 AWG WIRE & TWO-HOLE FUSION LUG TERMINATION -

NOTE:
DIMENSIONS REFLECT STANDARD
TWO-HOLE STRAIGHT FUSION-LUGS

| | | | | | |
|---|---|---------------------------|--|--|--|
|  THIRD ANGLE PROJECTION UNLESS OTHERWISE SPECIFIED DIMENSIONS ARE IN MILLIMETERS TOLERANCES ARE: DECIMALS ANGLES X.X ± 0.2 ± 2.0 X.XX ± 0.08 X.XXX ± 0.013 SURFACE FINISH: N/A | NAME <i>ORIG:</i> R. Larsen | DATE 02/11/2015 |  METHODE ELECTRONICS, INC. POWER SOLUTIONS GROUP 2025 Gateway Place, Suite 235, San Jose, CA 95110 (408) 453-9500 | | |
| | ENGR: R. Larsen | 02/11/2015 | | TITLE: USER DRAWING, M-QUAD FOUR SIZE 6.4 MM CONTACTS 4 & 8 AWG WIRE CRIMP & M5 THREADS | |
| | CHECKED: H. Han | 02/11/2015 | SIZE C | | DRAWING NUMBER: C6313-07745-00100 |
| | PROPRIETARY AND CONFIDENTIAL NOTICE ALL INFORMATION IN THIS DRAWING IS CONFIDENTIAL AND PROPRIETARY INFORMATION AND IS NOT TO BE DISTRIBUTED, COPIED, OR SHARED EXCEPT WITH PRIOR WRITTEN APPROVAL OF METHODE ELECTRONICS, INC. POWER SOLUTIONS GROUP. | | | SCALE: 1:1 | FILENAME: 6313-07745-00100 |