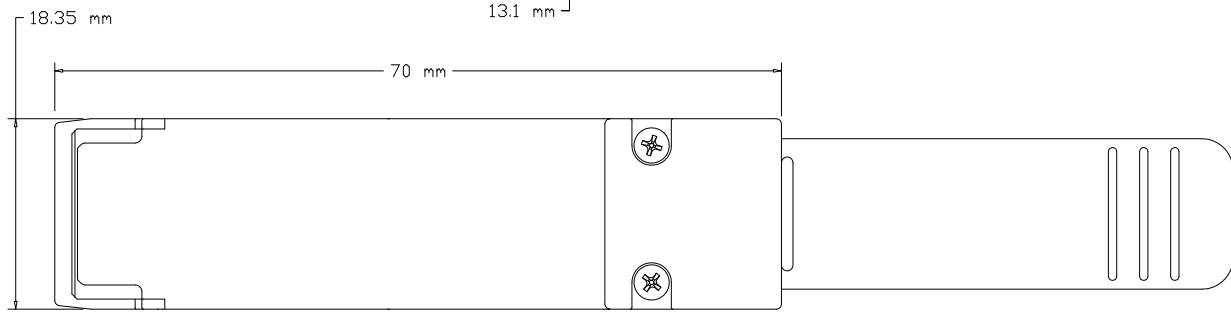
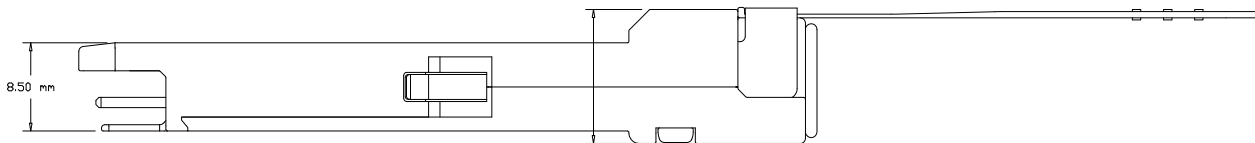
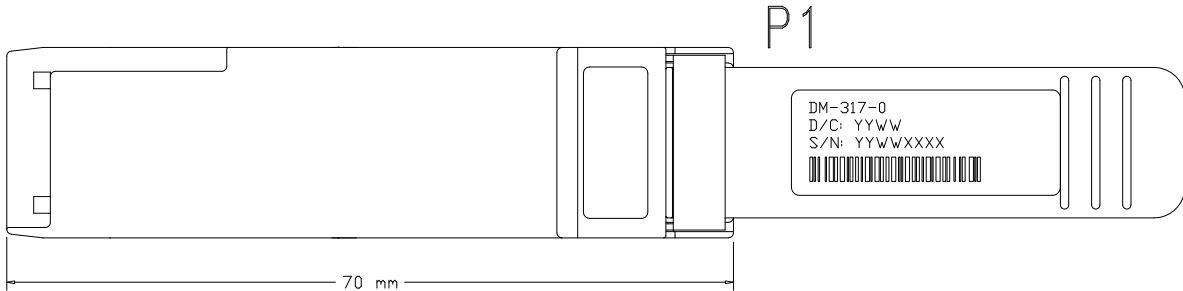
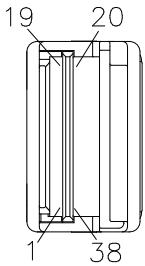


REVISION AND CHANGE EFFECTIVITY DATE				
LTR.	ECN	DESCRIPTION	DATE	APP'D.



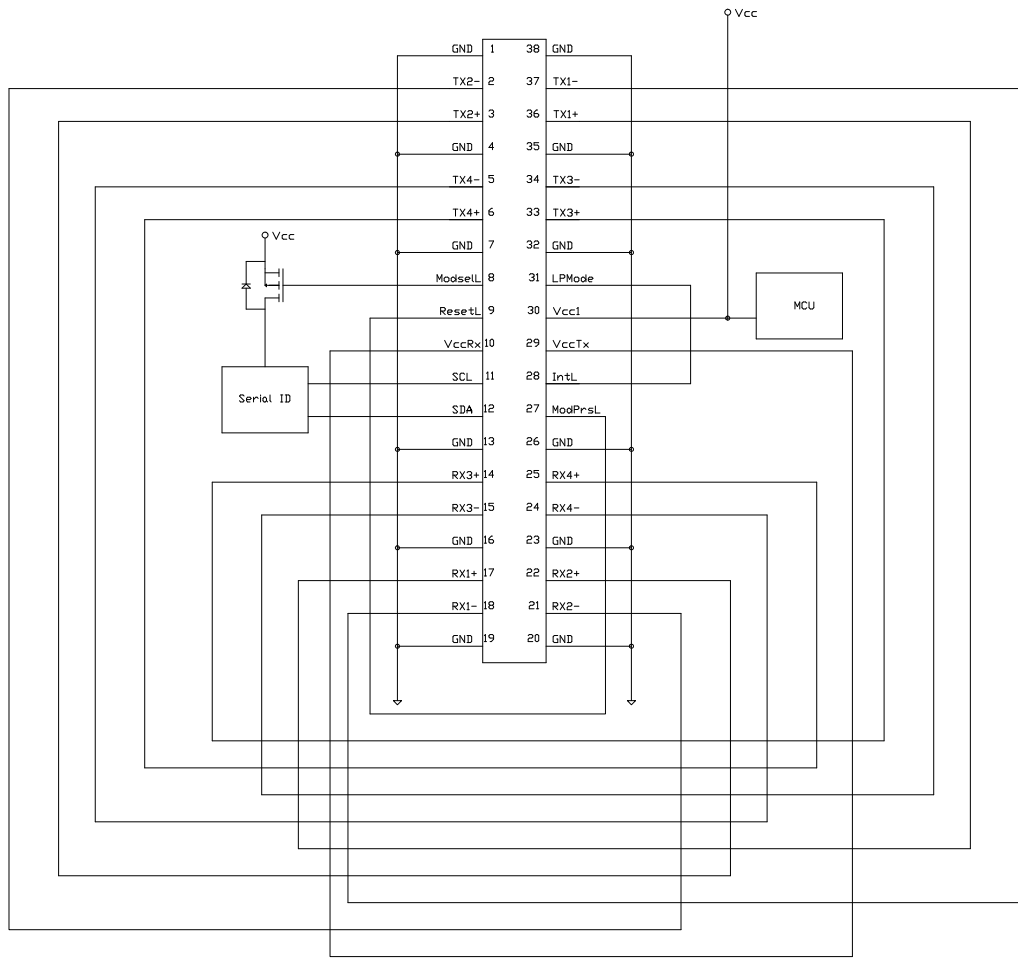
1. CONNECTOR:
 HOUSING: ZINC DIE CASTING, NICKEL PLATING
 P.C.B.: 4 LAYERS, FR4, GOLD FINGERS PLATED 50μIN MIN GOLD
 LATCH: STAINLESS STEEL WITH PULL TAB

DO NOT SCALE DRAWING.



EXPERIMENTAL NO.:		DIVISION ASSIGNED: dataMate Division	
TOLERANCE UNLESS OTHERWISE SPECIFIED		DRAWN BY: A. PIRILLIS	
MATERIAL: SEE NOTES		DATE: 01/17/12	
METRIC ± 13 DEC XX ± .010		CHECKED BY: B. SKEPNEK	
INCHES XXX ± .005		DATE: 01/17/12	
XX ± 26 ANGLES ±		ENGR. APPROVAL: J. LLORENS	
TOOLING DWG <input type="checkbox"/>		DATE: 01/17/12	
PART DWG <input type="checkbox"/>		APPROVED BY: A. CHIAPPETTA	
BREAK SHARP EDGES		DATE: 01/17/12	
REMOVE ALL BURRS		PART NO. CLASSIFICATION:	
THE INFORMATION DISCLOSED IN THIS DOCUMENT IS PROPRIETARY TO METHODE ELECTRONICS, INC. AND MAY NOT BE USED FOR MANUFACTURE OR ANY OTHER PURPOSE WITHOUT THE WRITTEN CONSENT OF METHODE ELECTRONICS, INC. ANY CHANGES TO THIS DOCUMENT SHALL BE SUBJECT TO CHANGE AS THEY MAY OCCUR WITH RESPECT TO PRODUCT IMPROVEMENT.		TITLE: QSFP LDDPBACK	
SIZE: C	CODE IDENT.	DWG. NUMBER: DM-317-0	Rev.
SCALE:			SHT. 1 OF 2

LTR.	ECN	DESCRIPTION	DATE	APP'D.



DO NOT SCALE DRAWING.



EXPERIMENTAL NO:		DIVISION ASSIGNED: dataMATE Division	
TOLERANCE UNLESS OTHERWISE SPECIFIED METRIC ± FRACTION INCHES ± DECIMAL X.X ± .13 DEC .XX ± .010 XX ± .26 ANGLE ± .005 TOOLING DIMS <input type="checkbox"/> PART DIM <input type="checkbox"/> BREAK SHARP EDGES <input type="checkbox"/> REMOVE ALL BURRS		MATERIALS SEE NOTES FINISH: SEE NOTES	
DRAWN BY: A. PIRILLIS CHECKED BY: B. SKEPNEK ENGR. APPROVAL: J. LLDRENS APPROVED BY: A. CHIAPPETTA PART NO. CLASSIFICATION:		DATE: 01/17/12 DATE: 01/17/12 DATE: 01/17/12 DATE: 01/17/12	
THE INFORMATION CONTAINED IN THIS DOCUMENT IS PROPRIETARY TO METHODE ELECTRONICS, INC. AND MAY NOT BE USED FOR MANUFACTURE OR ANY OTHER PURPOSE WITHOUT THE WRITTEN CONSENT OF METHODE. DETAILS SUBJECT TO CHANGE AS THEY MAY INCLUDE WITH RESPECT TO PRODUCT IMPROVEMENT.		TITLE: QSPF LDDPBACK SIZE: C CODE IDENT.: DWG. NUMBER: DM-317-0 SCALE:	
		Rev. 1 SHT. 2 OF 2	