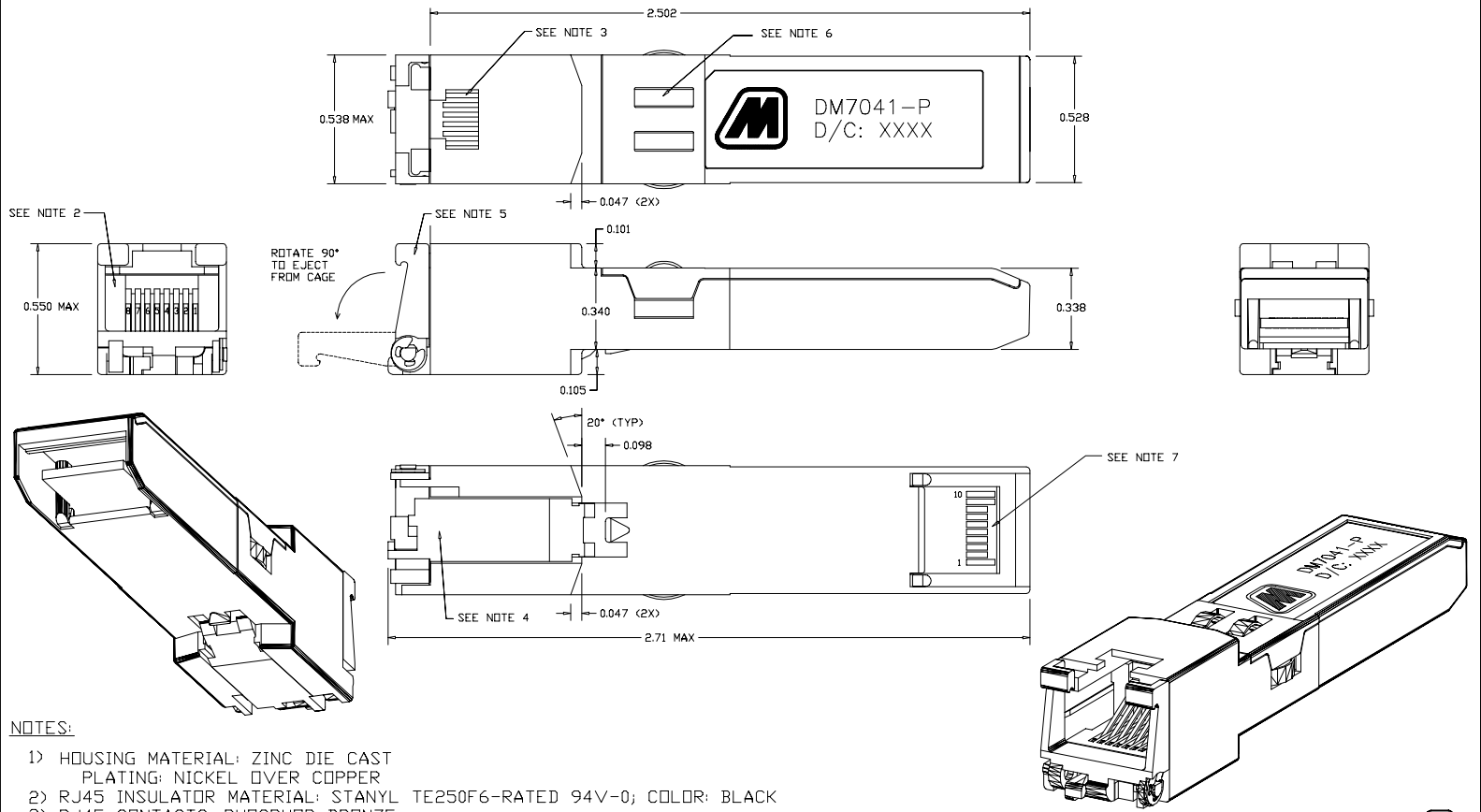


REVISION AND CHANGE EFFECTIVITY DATE				
LTR.	ECN	DESCRIPTION	DATE	APP'D.

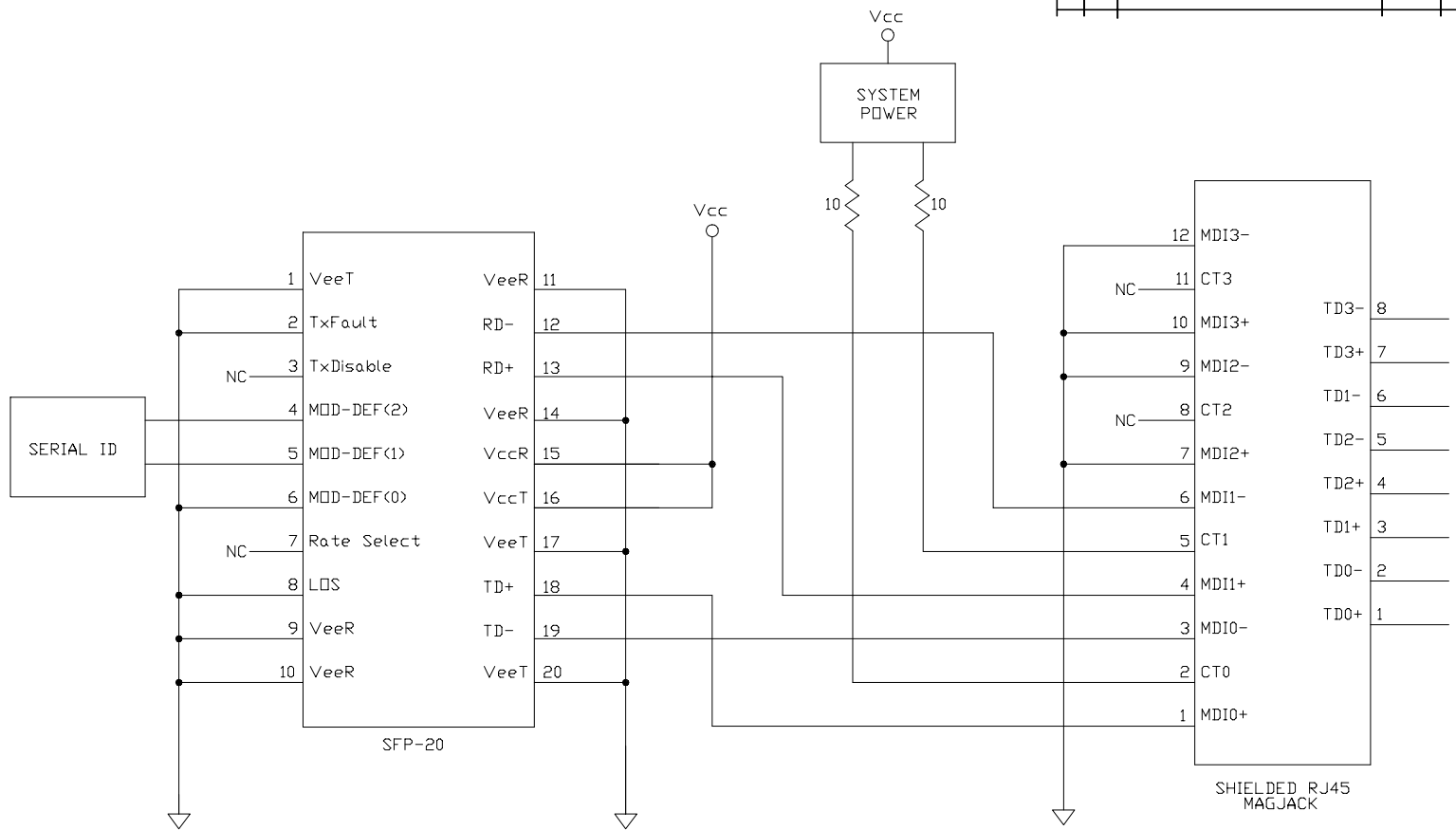


NOTES:

- 1) HOUSING MATERIAL: ZINC DIE CAST
PLATING: NICKEL OVER COPPER
- 2) RJ45 INSULATOR MATERIAL: STANYL TE250F6-RATED 94V-0; COLOR: BLACK
- 3) RJ45 CONTACTS: PHOSPHOR BRONZE
PLATING: 50µin MIN. HARD GOLD ON CONTACT AREA,
TIN/LEAD ON SOLDER AREA
- 4) EJECTOR ACTUATOR: ZINC DIE CAST
PLATING: NICKEL OVER COPPER
- 5) BAIL LATCH: MIM STEEL WITH GOLD FLASH OVER Cu/Ni PLATING
- 6) GROUNDING TABS: BERYLLIUM COPPER
PLATING: NICKEL
- 7) PCB-.039" THICK; 30µin. MIN GOLD PLATING OVER
50µin. MIN NICKEL ON CONTACT AREA

DO NOT SCALE DRAWING.		dataMATE	
EXPERIMENTAL NO:		DIVISION ASSIGNED: dataMATE Division	
TOLERANCE UNLESS OTHERWISE SPECIFIED		DRAWN BY: A. PIRILLIS DATE: 04/16/09	
MATERIAL: SEE NOTES		CHECKED BY: B. SKEPNEK 04/16/09	
METRIC INCHES		ENGR. APPROVAL: J. NOWAK 04/16/09	
± DEC. XX ± .010		APPROVED BY: A. CHIAPPETTA 04/16/09	
± .XXX ± .005		PART NO. CLASSIFICATION:	
ANGLES ±		TITLE: SFP TO RJ45 MODULE PASSIVE	
TOOLING DWG □		SIZE: C	
PART DWG □		CODE IDENT.:	
BREAK SHARP EDGES REMOVE ALL BURRS		DWG. NUMBER: DM7041-P	
THE INFORMATION DISCLOSED IN THIS DOCUMENT IS PROPRIETARY TO METHODE ELECTRONICS, INC. AND MAY NOT BE USED FOR MANUFACTURE OR ANY OTHER PURPOSE WITHOUT THE WRITTEN CONSENT OF METHODE. DETAILS SUBJECT TO CHANGE AS THEY MAY CHANGE WITH RESPECT TO PRODUCT IMPROVEMENT.		Rev.:	
SCALE:		SHT. 1 OF 2	

REVISION AND CHANGE EFFECTIVITY DATE				
LTR.	ECN	DESCRIPTION	DATE	APP'D.



DO NOT SCALE DRAWING.

EXPERIMENTAL NO:		DIVISION ASSIGNED: dataMate Division	
TOLERANCE UNLESS OTHERWISE SPECIFIED		MATERIAL: SEE NOTES	
METRIC INCHES		DRAWN BY: A. PIRILLIS DATE: 04/16/09	
± FRACS.		CHECKED BY: B. SKEPNEK DATE: 04/16/09	
± DEC. XX ± .010		ENGR. APPROVAL: J. NOWAK DATE: 04/16/09	
± XXX ± .005		APPROVED BY: A. CHIAPPETTA DATE: 04/16/09	
± ANGLES ±		PART NO. CLASSIFICATION:	
TOOLING DWG <input type="checkbox"/>		SIZE: C	
PART DWG <input type="checkbox"/>		CODE IDENT.:	
BREAK SHARP EDGES <input type="checkbox"/>		DWG. NUMBER: DM7041-P	
REMOVE ALL BURRS <input type="checkbox"/>		Rev.:	
THE INFORMATION DISCLOSED IN THIS DOCUMENT IS PROPRIETARY TO METHODE ELECTRONICS, INC. AND MAY NOT BE USED FOR MANUFACTURE OR ANY OTHER PURPOSE WITHOUT THE WRITTEN CONSENT OF METHODE. DETAILS SUBJECT TO CHANGE AS THEY MAY CHANGE WITH RESPECT TO PRODUCT IMPROVEMENT.		SCALE: SHI. 2 OF 2	



TITLE: SFP TO RJ45 MODULE PASSIVE