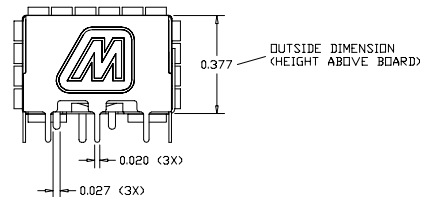
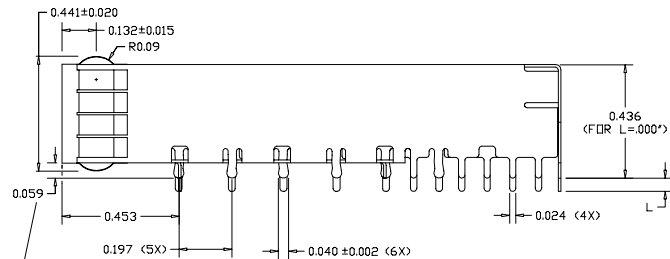
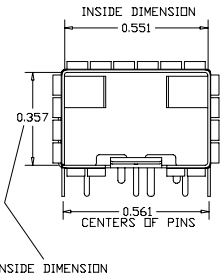


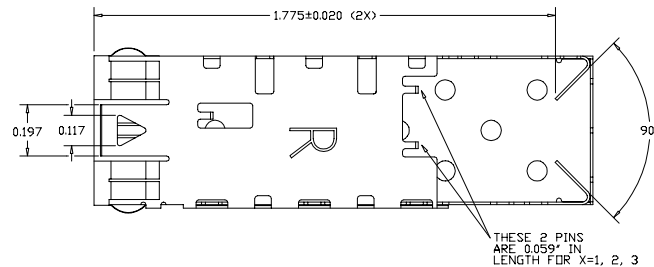
REVISION AND CHANGE EFFECTIVITY DATE				
LTR.	ECN	DESCRIPTION	DATE	APP'D.

**NOTES:**

- 1) OPERATING AND STORAGE TEMPERATURE: -40°C TO +160°C
- 2) CAGE MATERIAL: 0.010" THICK BRASS ALLOY; C2680 - FULL HARD
- 3) PLATING: SEE PLATING OPTIONS
- 4) CAGE IS SOLDERED AT SEAM AT 5 LOCATIONS
- 5) CAGE IS STAMPED "R" FOR RoHS COMPLIANCE
- 6) GASKET: 0.002" THICK BERYLLIUM COPPER WITH NICKEL PLATING
- 7) GASKET IS SPOT WELDED ONTO CAGE



MINIMUM PIN LENGTH (FOR L=.000')



**ORDERING INFO:**

DM7054-S-X-P

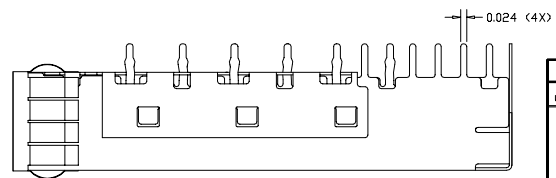
SERIES

**PLATING OPTIONS:**  
(ALL ARE RoHS COMPLIANT)

- R FOR 100µIN MATTE TIN OVER 50µIN NICKEL NOT INTENDED FOR REFLOW WAVE SOLDER ONLY - WAVE TEMP. 260°C FOR 6 SEC. MAX RoHS COMPLIANT
- G FOR FLASH GOLD OVER 50µIN NICKEL REFLOW COMPATIBLE - MAX REFLOW TEMP. 260°C RoHS COMPLIANT
- N FOR 100µIN NICKEL REFLOW COMPATIBLE - MAX REFLOW TEMP. 260°C RoHS COMPLIANT

- 1 - L = .000' (RECOMMENDED PCB THICKNESS OF LESS THAN .055)
- 2 - L = .021' (RECOMMENDED PCB THICKNESS BETWEEN .056-.078)
- 3 - L = .051' (RECOMMENDED PCB THICKNESS BETWEEN .079-.108)

DENOTES SOLDERABLE PINS



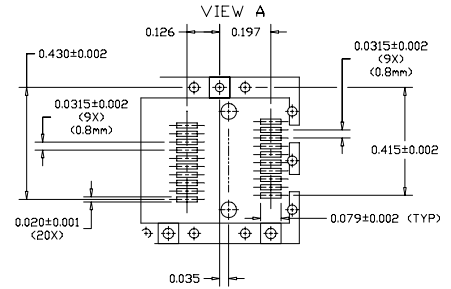
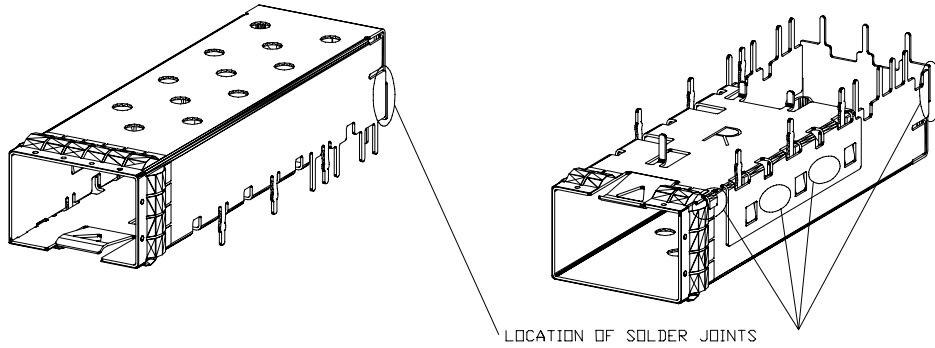
DO NOT SCALE DRAWING.

<b>EXPERIMENTAL NO:</b>		<b>DIVISION ASSIGNED:</b> dataMate Division		
TOLERANCE UNLESS OTHERWISE SPECIFIED		DRAWN BY: A. PIRLLIS 09/14/07		
MATERIAL: SEE NOTES		CHECKED BY: B. SKEPNEK 09/14/07		
MATERIAL: SEE NOTES		ENGR. APPROVAL: J. NOWAK 09/14/07		
MATERIAL: SEE NOTES		APPROVED BY: A. CHIAPPETTA 09/14/07		
MATERIAL: SEE NOTES		PART NO. CLASSIFICATION:		
MATERIAL: SEE NOTES		TITLE: SFP+ CAGE - ONE PIECE (IMPROVED) WITH GASKET SOLDERABLE PINS		
MATERIAL: SEE NOTES		SIZE: C		Rev.
MATERIAL: SEE NOTES		CODE IDENT.		DM7054-S-X-P
MATERIAL: SEE NOTES		DWG. NUMBER		DM7054-S-X-P
MATERIAL: SEE NOTES		SCALE:		SH1.1 OF 2

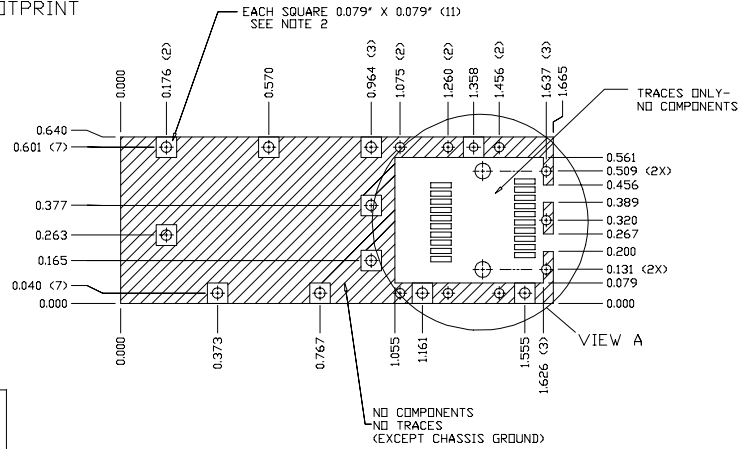
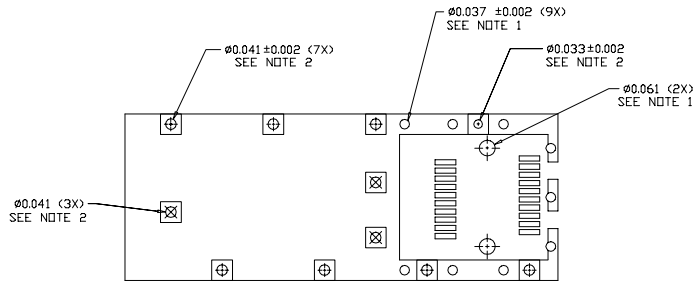


THE INFORMATION DISCLOSED IN THIS DOCUMENT IS PROPRIETARY TO METHODE ELECTRONICS, INC. AND MAY NOT BE USED FOR MANUFACTURE OR ANY OTHER PURPOSE WITHOUT THE WRITTEN CONSENT OF METHODE. DRILLS SUBJECT TO CHANGE AS THEY MAY CHANGE WITH RESPECT TO PRODUCT IMPROVEMENT.

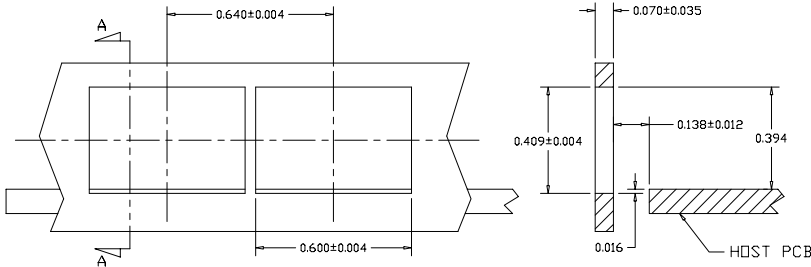
REVISION AND CHANGE EFFECTIVITY DATE				
LTR.	ECN	DESCRIPTION	DATE	APP'D.



RECOMMENDED FOOTPRINT



RECOMMENDED PANEL CUTOUT



NOTES:

- 1) THRU HOLES, PLATING OPTIONAL
- 2) PADS AND VIAS ARE CHASSIS GROUND, 11 PLACES



DO NOT SCALE DRAWING.		EXPERIMENTAL NO:		DIVISION ASSIGNED: <b>dataMATE Division</b>	
TOLERANCE UNLESS OTHERWISE SPECIFIED		MATERIAL: SEE NOTES		DRAWN BY: <b>A. PIRLLIS</b> 09/14/07	
METRIC		FINISH:		CHECKED BY: <b>B. SKEPNEK</b> 09/14/07	
FRACTIONAL DEC. XX ± .010 XXX ± .005 ANGLES ±		TOOLING DWG □ PART DWG □ BREAK SHARP EDGES REMOVE ALL BURRS		ENGR. APPROVAL: <b>J. NOWAK</b> 09/14/07	
				APPROVED BY: <b>A. CHIAPPETTA</b> 09/14/07	
				PART NO. CLASSIFICATION:	
				TITLE: <b>SFP+ CAGE - ONE PIECE (IMPROVED) WITH GASKET SOLDERABLE PINS</b>	
				SIZE: <b>C</b> CODE IDENT. DWG. NUMBER <b>DM7054-S-X-P</b> Rev.	
				SCALE: SHI.2 OF 2	