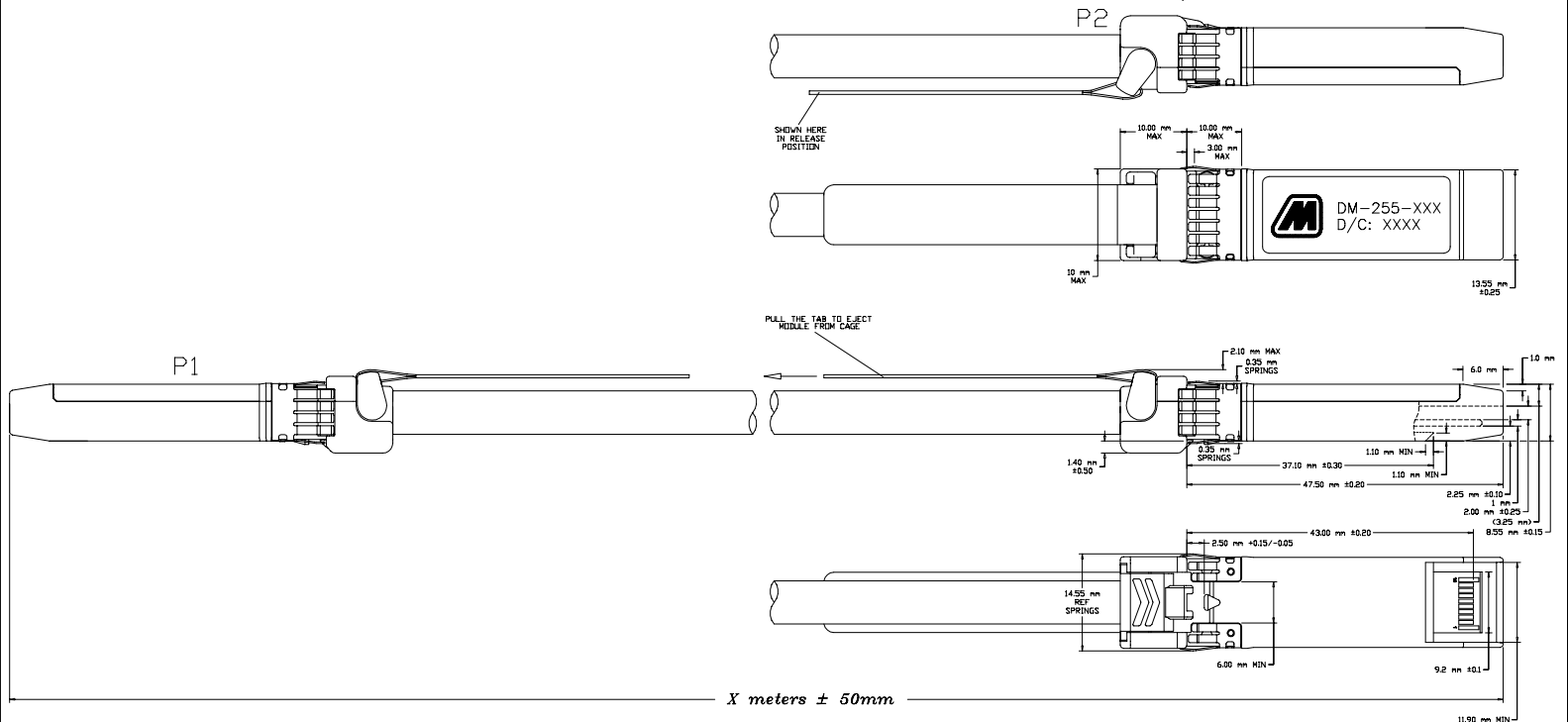


REVISION AND CHANGE EFFECTIVITY DATE				
LTR.	ECN	DESCRIPTION	DATE	APP'D.



*X meters ± 50mm*

1. CABLE:  
 CONDUCTOR (SIGNAL WIRE): 24AWG SOLID SILVER PLATED COPPER.  
 PAIR: 2 SINGLES LAID FLAT AND PARALLEL.  
 INSULATION: POLYOLEFIN  
 GROUND (DRAIN WIRE): 26AWG SOLID SILVER PLATED COPPER.  
 PAIR SHIELD: ALUMINUM/POLYESTER TAPE, ALUMINUM SIDE FACING IN, 25% OVERLAP.  
 INNER SHIELD: ALUMINUM/POLYESTER TAPE, ALUMINUM SIDE FACING OUT, 25% OVERLAP.  
 OUTER SHIELD: 36AWG TIN PLATED COPPER BRAID, 85% COVERAGE.  
 BUFFER - FOAM POLYOLEFIN TAPE  
 JACKET: FLEXIBLE XPS; COLOR: BLACK  
 DIAMETER: 6.86mm NOMINAL, COLOR: BLACK.  
 PRINT LEGEND: TYPE CL2 75°C 24AWG (UL) MADISON CABLE CSA AWM II A/B 75C 30V FT4 TurboTwin™ 10G RoHS COMPLIANT\*  
 DIFFERENTIAL IMPEDANCE: 100±5 OHMS ØTDR  
 UL LISTING: TYPE CL2 AS SPECIFIED IN ARTICLE 725 OF THE NATIONAL ELECTRICAL CODE. TurboTwin™

2. CONNECTORS:  
 P1 & P2: SFP+ MODULE  
 HOUSING ZINC DIE CASTING, NICKEL PLATING  
 P.C.B.: 4 LAYERS; FR4, 30µm GOLD PLATING ON FINGERS  
 SCREWS: STAINLESS STEEL  
 LATCH: PC RESIN UL94V-0 COLOR: BLACK  
 PULL TAB NYLON UL94V-0; COLOR: WHITE  
 SERIAL ID IC: AT24C02B or EQUIVALENT.

PART NUMBER CHART	
PART NUMBER	LENGTH
DM-255-100	1 Meter
DM-255-200	2 Meters
DM-255-300	3 Meters
DM-255-500	5 Meters
DM-255-700	7 Meters
DM-255-1000	10 Meters

WIRING CHART			
P1 END	P2 END	P1 END	P2 END
19	TX-	12	RX-
18	TX+	13	RX+
GROUND		GROUND	
13	RX+	18	TX+
12	RX-	19	TX-
GROUND		GROUND	

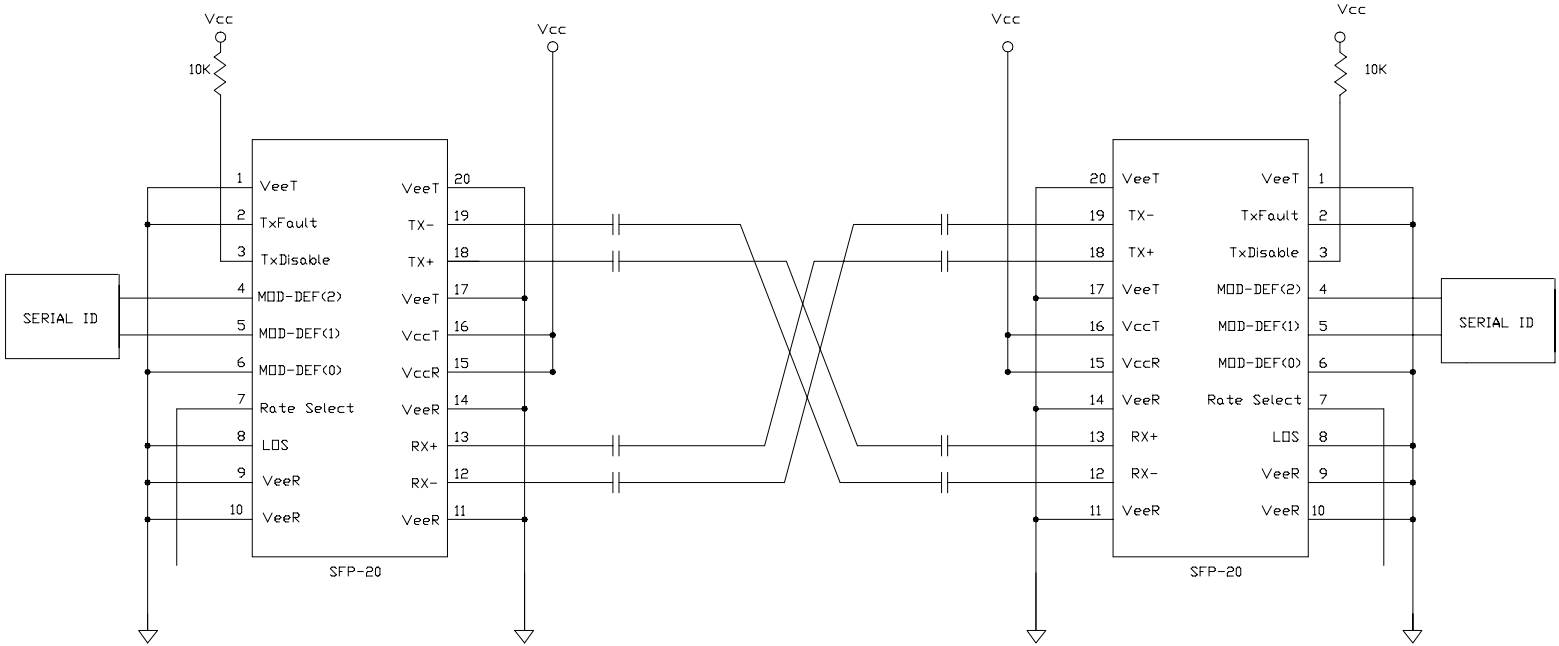
DO NOT SCALE DRAWING.

EXPERIMENTAL NO:		DIVISION ASSIGNED: <b>dataMate Division</b>	
TOLERANCE UNLESS OTHERWISE SPECIFIED		DRAWN BY: <b>A. PIRILLIS</b> 07/31/09	
MATERIAL: SEE NOTES		CHECKED BY: <b>B. SKEPNEK</b> 07/31/09	
METRIC (mm) INCHES		ENGR. APPROVAL: <b>J. NOWAK</b> 07/31/09	
FRAC ± DEC X±.26 X±.13		APPROVED BY: <b>A. CHIAPPETTA</b> 07/31/09	
ANGLES ±		PART NO. CLASSIFICATION:	
TOOLING DWG <input type="checkbox"/>		TITLE: SFP+ TO SFP+ PASSIVE CABLE ASSEMBLY	
PART DWG <input type="checkbox"/>		SIZE: <b>C</b> CODE IDENT. DWG. NUMBER: <b>DM-255-XXX</b> Rev. <b>-</b>	
BREAK SHARP EDGES REMOVE ALL BURRS		SCALE: <b>1</b> SHIT. 1 OF 2	

THE INFORMATION DISCLOSED IN THIS DOCUMENT IS PROPRIETARY TO METHODE ELECTRONICS, INC. AND MAY NOT BE USED FOR MANUFACTURE OR ANY OTHER PURPOSE WITHOUT THE WRITTEN CONSENT OF METHODE. DETAILS SUBJECT TO CHANGE AS THEY MAY CHANGE WITH RESPECT TO PRODUCT IMPROVEMENT.



REVISION AND CHANGE EFFECTIVITY DATE				
LTR.	ECN	DESCRIPTION	DATE	APP'D.



DO NOT SCALE DRAWING.



EXPERIMENTAL NO:		DIVISION ASSIGNED: <b>dataMATE Division</b>	
TOLERANCE UNLESS OTHERWISE SPECIFIED METRIC (mm) INCHES FRAC ± DEC X:2-26 X:4-13 ANGLES ± TOOLING DWG <input type="checkbox"/> PART DWG <input type="checkbox"/> BREAK SHARP EDGES <input type="checkbox"/> REMOVE ALL BURRS		MATERIAL: SEE NOTES FINISH:	
DRAWN BY: A. PIRILLIS CHECKED BY: B. SKEPNEK ENGR. APPROVAL: J. NOWAK APPROVED BY: A. CHIAPPETTA		DATE: 07/31/09 DATE: 07/31/09 DATE: 07/31/09 DATE: 07/31/09	
THE INFORMATION DISCLOSED IN THIS DOCUMENT IS PROPRIETARY TO METHODE ELECTRONICS, INC. AND MAY NOT BE USED FOR MANUFACTURE OR ANY OTHER PURPOSE WITHOUT THE WRITTEN CONSENT OF METHODE. DETAILS SUBJECT TO CHANGE AS THEY MAY CHANGE WITH RESPECT TO PRODUCT IMPROVEMENT.		TITLE: SFP+ TO SFP+ PASSIVE CABLE ASSEMBLY PART NO. CLASSIFICATION:	
SIZE: <b>C</b>	CODE IDENT.	DWG. NUMBER: DM-255-XXX	Rev. -
SCALE:		SHT. 2 OF 2	